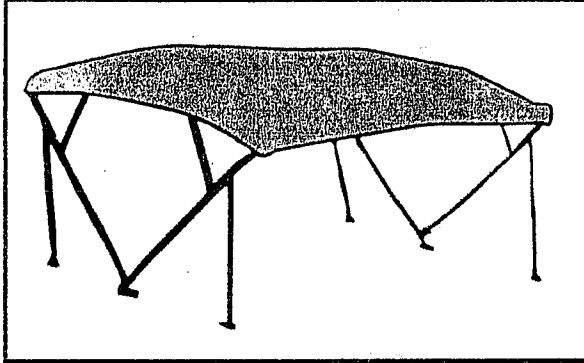
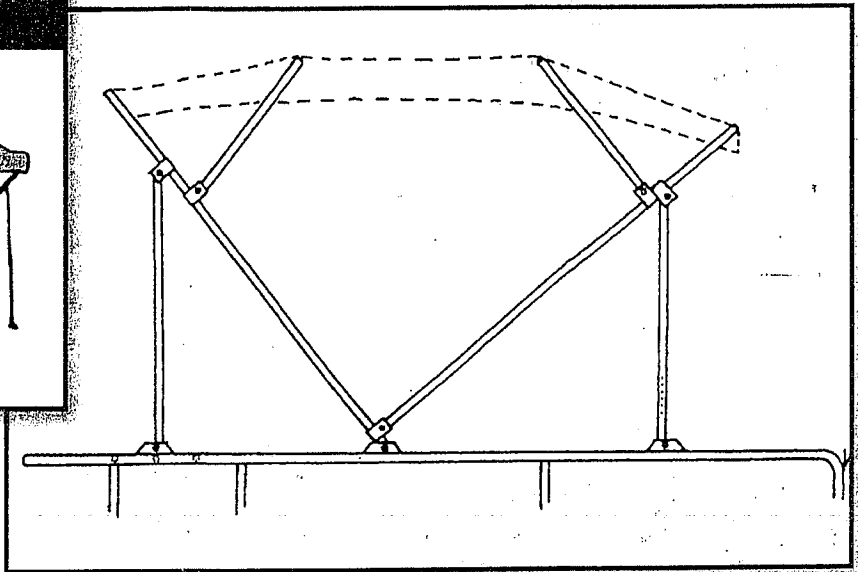


1-1/4" Assembly Instructions for Big Top Bimini

BIG TOP BIMINI

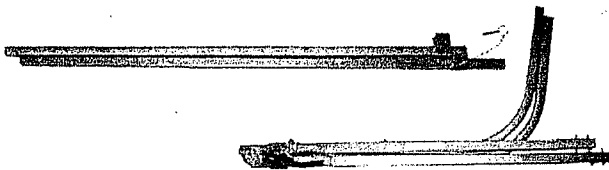


NOTE: This is a universal fit unit. You may need to improvise in some areas to secure this unit to your boat.

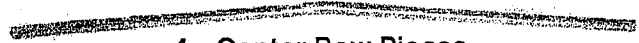


Parts List (not actual size)

2 - Bow Assemblies (1 for right, 1 for left)



4 - Center Bow Pieces



1 - Bimini Top & Boot

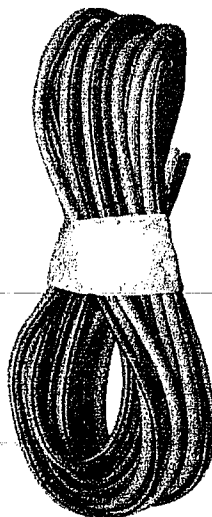


1 - Mounting Hardware Kit Consisting of:

Parts Shown 50% Scale

Parts Shown Actual Size

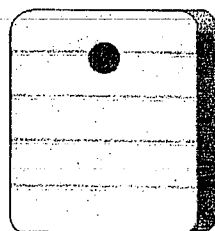
← 8 - 6" Joiner Pieces



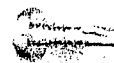
4 - Butt Connectors

1 - Wire Harness

4 - Deck Mounts



40 - Tech Screws



1 - Grommet



1 - Grey Cap



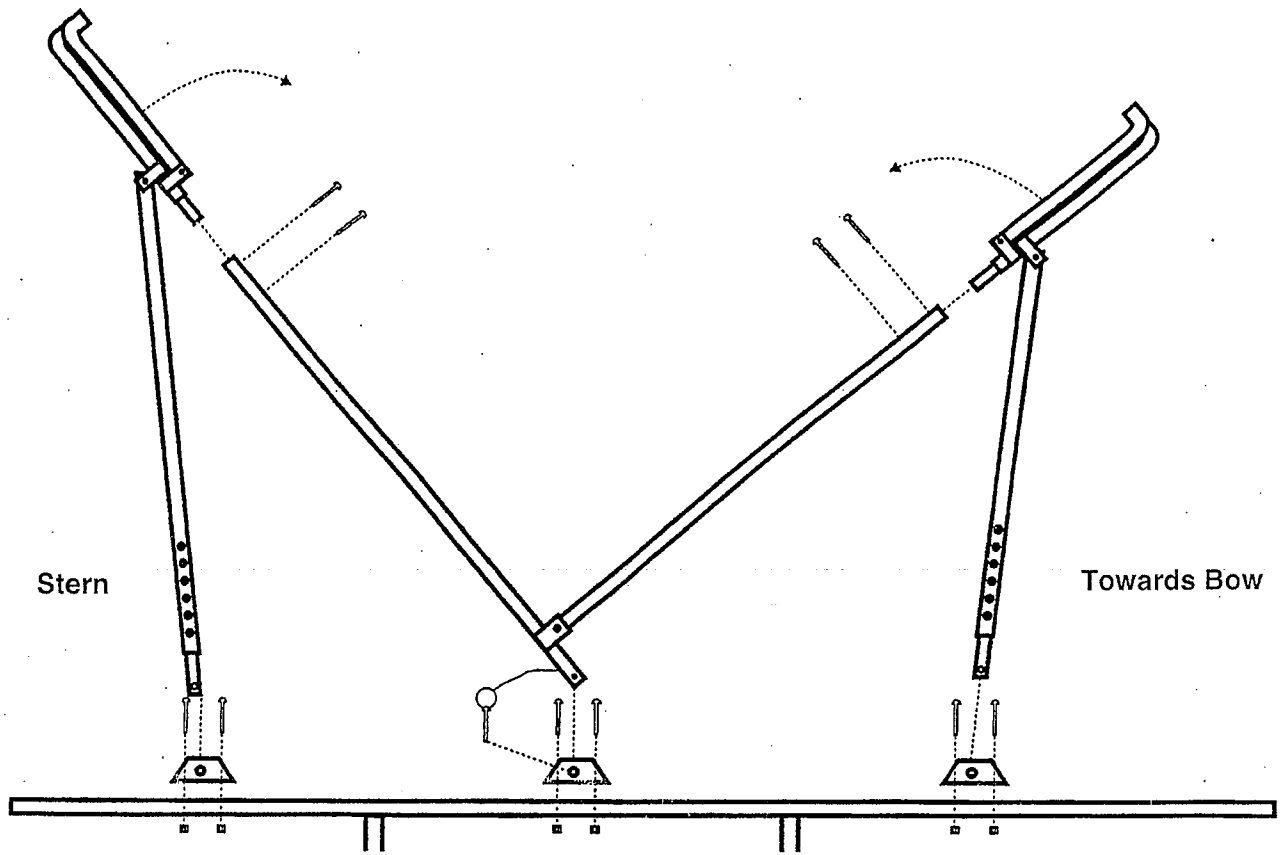
6 - 1/4 x 20 x 1-3/4 Phillips Pan Bolts



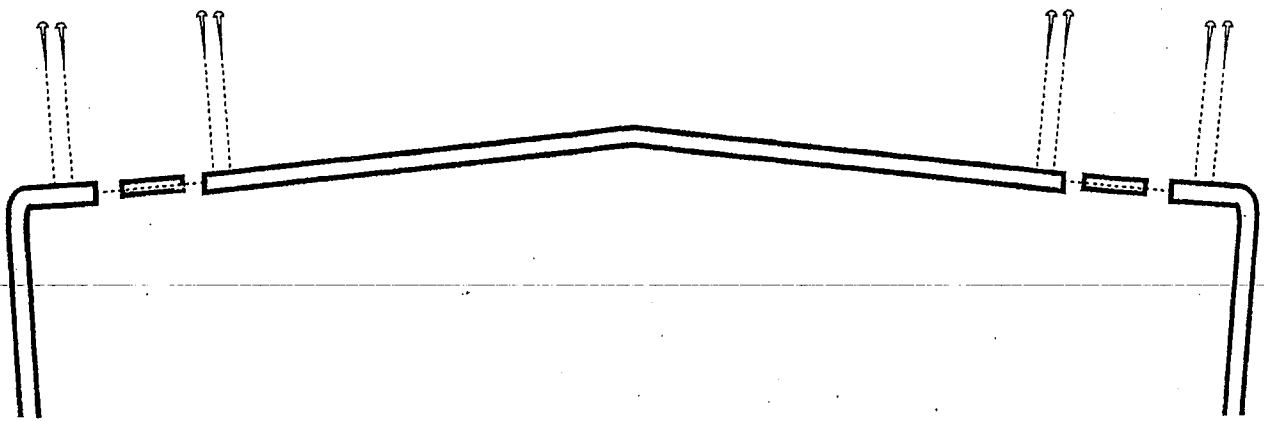
6 - 1/4 x 20 Lock Nuts



FRAME ASSEMBLY



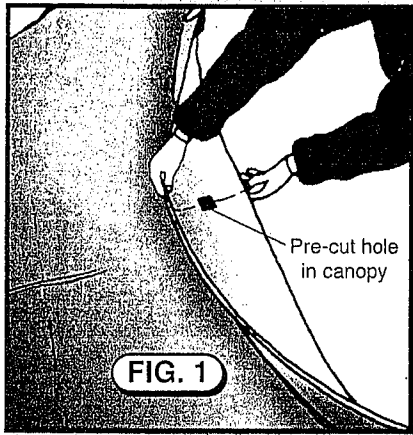
CENTER BOW PIECE ASSEMBLY



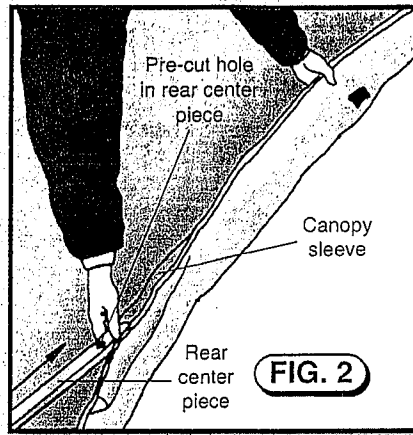
Assembly Instructions for Big Top Bimini

IMPORTANT: It is crucial to carefully follow these instructions in order!

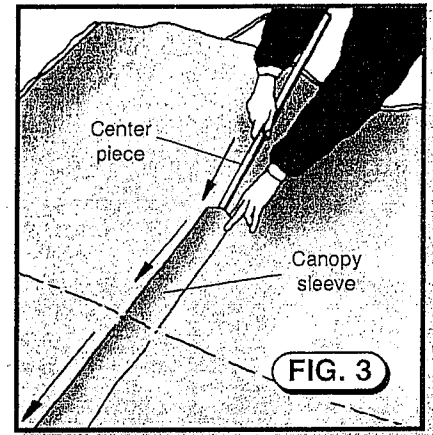
- 1** Stretch the fabric out flat on a clean dry surface upside down and find the rear by locating the pre-cut hole for the stern light.
SEE FIG. 1



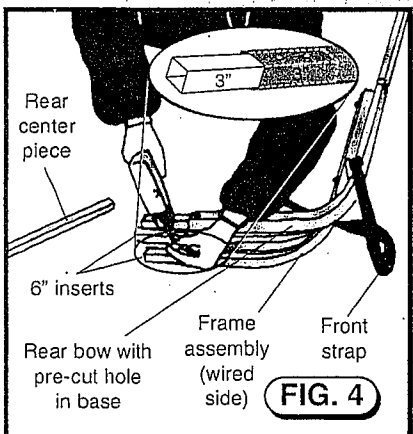
- 2** Locate the rear center bow piece (It has the pre-drilled hole in the center for the stern light wire.) and insert it into the rear sleeve of the canopy. SEE FIG. 2



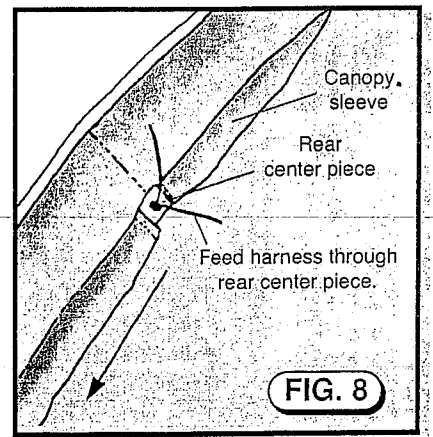
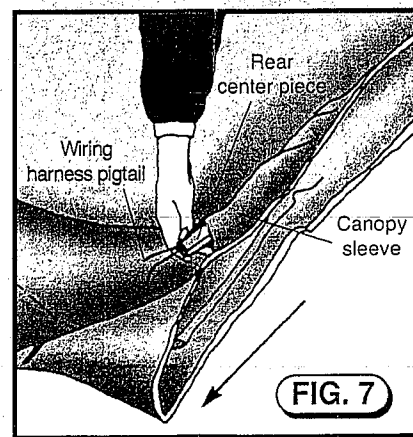
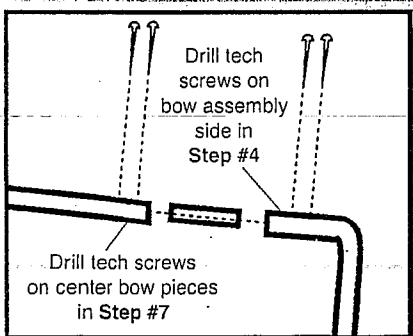
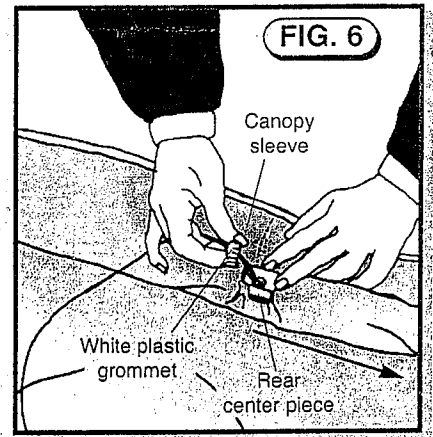
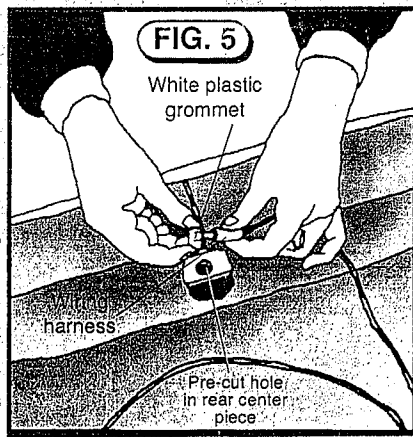
- 3** Insert the other 3 center bow pieces into the remaining 3 sleeves of the canopy.
SEE FIG. 3



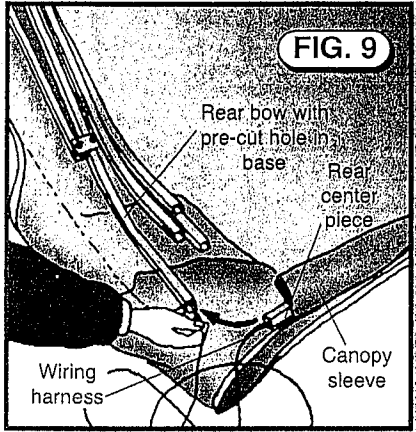
- 4** Locate the 6" joiner pieces. Attach 4 joiners into the bows on what will be the wired side of the frame only for now. Attach the joiner pieces to the center bow pieces with the tech screws provided. (2 screws per side) Note: joiner piece extends approx. 3" into each piece.
SEE FIG. 4



- 5** Slide one end of the wire harness through the white plastic grommet (FIG. 5), then insert the same end into the pre-drilled hole in the center bow piece (FIG. 6). Feed the wire completely through until it comes out the opposite end (FIG. 7). Push grommet into hole (FIG. 8).

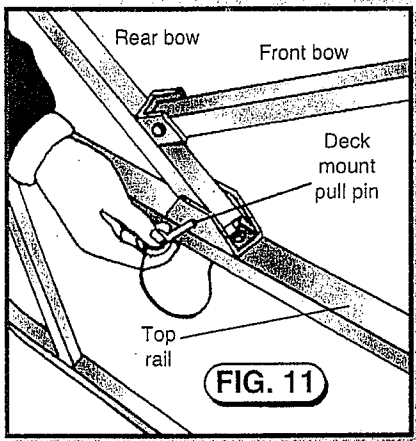


- 6** Slide the wire into the top (open end of the radius) of the bow with the pre-drilled hole in its base. Feed the wire through the entire length of the bow until it exits the base. **SEE FIG. 9**



NOTE: (2 people suggested for Steps #10-11)

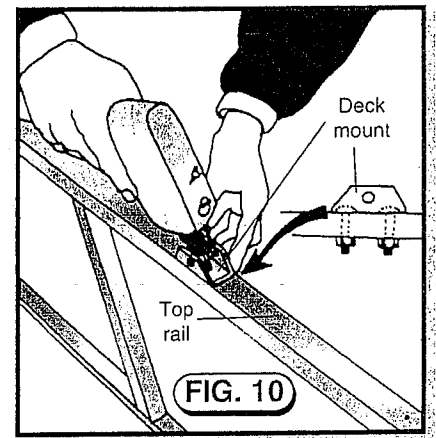
- 10** Place the assembled canopy and frame into the deck mounts and line up the pre-drilled holes in the bow frame and deck mounts. Insert the pull pins provided. **SEE FIG. 11**



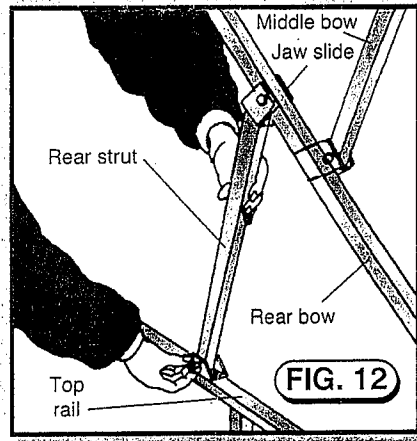
- 7** Spread the wired side of the frame apart and line up its bows with their center pieces in place in the canopy sleeves. Secure the bows and center pieces with tech screws. **SEE FRAME ASSEMBLY (page 2)**

- 8** Attach the last 4 joiner pieces in the bows opposite the wired side of the frame and repeat STEP #7 until frame is completely assembled with canopy attached. **SEE FRAME ASSEMBLY (page 2)**

- 9** Determine the area on your boat you wish to cover. Attach deck mounts to the top rail corresponding to the covered area (approximately centered to the length of your top) with 1 pan bolt and nut per each. **SEE FRAME ASSEMBLY.** Do not locate them in front of the gate or obstruct the gateway. **WHEN INSTALLING THE DECK MOUNTS, MARK THE POSITION FOR THE 2 HOLES ON TOP RAIL, AND DRILL COMPLETELY THROUGH THE RAIL. SEE FIG. 10.**



- 11** Line up the rear struts perpendicular to the top rail. Mark the position for the 2 holes in each mount on the top rail and drill completely through the rail. Attach both rear deck mounts with nuts and pan bolts. Swing struts into position in the rear deck mounts, line up the pre-drilled holes and insert the pull pins. **SEE FIG. 12**



- 12** Allow the front, adjustable strut to hang straight down and locate the position for the front mounts. Attach as in Step #11. Pull down on the front of canopy until taugth to determine front strut adjustment. Should you need to cut anything off of the strut, remove the strut, at the jaw slide bracket, cut to desired length and drill new hole & replace.

